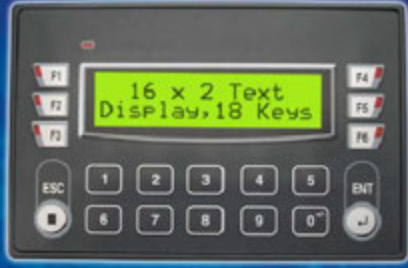


# FlexiPanels® - Keypad Based HMI



FP4020  
16 x 2 Multicolor LCD



FP4030  
3.1" Multicolor LCD



Back view for HMI



Back view for HMI

## Salient Features :-

- 16 x 2 Text and 3.1" Graphical / Multicolor Backlight LCD Display
- Alarms (Real Time & Historical)
- Floating point support, Bar graph, Built-in RTC
- Multilanguage (Unicode) support with true type Windows® fonts for graphical model
- Ladder editor with powerful instruction set
- IP66 design. CE, UL approved. RoHS compliant
- Support for Recipes
- Common Programming software for the entire FlexiPanels® family.....FREE!!
- Communication Ports:
  - One serial port to connect PLC at RS232 / 422 / 485 levels / Printer / Programming Port
  - One USB (Device) port as Programming Port
- User defined Function keys to support various tasks



# Operations :-

The FlexiPanels® support Operator interface features. The user can also implement logic, specific to application using standard Ladder programming. A PLC logic block can be executed at power up, during every scan or upon a timer interrupt. The FlexiPanels® operator interface functions revolve around Screens and Tasks that can be assigned to screens and application.

## Function Keys

FlexiPanels HMIs are available with function keys and Numerical keypad for easy data entry. The Function keys also have built-in LEDs. These function keys are screen dependent Function Keys. User can assign any application related task / actions to these function keys.

## Alarms

Real time and historical Alarms can be defined in FlexiPanels®. User-friendly Alarm object can be defined on the display. Alarms can be real time or historical. Keys can be assigned to acknowledge Alarm, view and scroll.

## Recipes

Recipes data is stored in the FlexiPanels® memory. With one button stroke, a set of data can be downloaded to the PLC. Once in the local memory, the recipes data can be edited using simple data entry objects.

## Bitmaps / Wizards

Different bitmaps can be embedded on the FlexiPanels® screen (Graphical Model). Bitmaps can be imported into the application and displayed on the FlexiPanels® screens. In addition, several wizards are supported to create commonly used objects such as Analog meters, Lamps, Buttons and Bar graphs.

## Ladder Support

FlexiPanels® support ladder functionality. User can define logic in the unit using FlexiSoft® software. The execution of ladder could be through communication port or through I/O. Only HMI version of FlexiPanels® also support ladder functionality. It is used for critical applications where data is processed before sending it to controller. The FlexiLogics® support following different types of instructions :

### I/O Instructions -

NO contact	NC contact	Output
Falling Edge	Rising Edge	Inverter
Inverter Coil	Positive Pulse Contact	Negative Pulse Contact
Positive pulse coil	Negative Pulse Coil	

### Data Transfer -

MOV word	MOV DWORD	Invert Transfer
Table Initialize	Table Block Transfer	Table Invert

### Transfer

Data Exchange	Multiplexer	Demultiplexer
---------------	-------------	---------------

### Math-

Addition	Subtraction	Multiplication
Division	Addition with Carry	Subtraction with Carry
Increment	Decrement	

### Compare -

Greater than	Greater than or equal	Equal
Not Equal	Less Than	Less than or Equal

### Logic -

AND	OR	XOR
Shift	Rotate	

### Data Conversion -

Hex to Ascii	Ascii to Hex	Absolute Value
7 segment decode	Ascii conversion	Binary Conversion
BCD conversion	2's complement word	
2's complement Double word		

### Timer -

TON	TOFF	TSS
-----	------	-----

### Counter-

Up counter	UP Down Counter	
------------	-----------------	--

### Program Control -

Subroutine CALL  
Next  
Jump Control Set  
Dis Intr  
Step sequence Input

Subroutine RET  
Master Control Set  
Jump Control Reset  
DT  
Step sequence output

For  
Master Control Reset  
En Intr  
Step sequence Init

### Function -

Moving Average  
Upper limit  
Average Value

Digital Filter  
Lower limit  
Function generator

PID1,4  
Maximum Value  
Minimum Value

### Special -

Device Set  
Register Reset  
Encode Decode  
Direct I/O

Device Reset  
Set Carry  
Bit Count  
Set Calendar

Register Set  
Reset Carry  
Flip Flop  
Calendar Operation

The execution of ladder logic is in microseconds. Ladder monitoring for debugging is also supported in FlexiPanels® configuration software.

## Multilanguage / Unicode Support

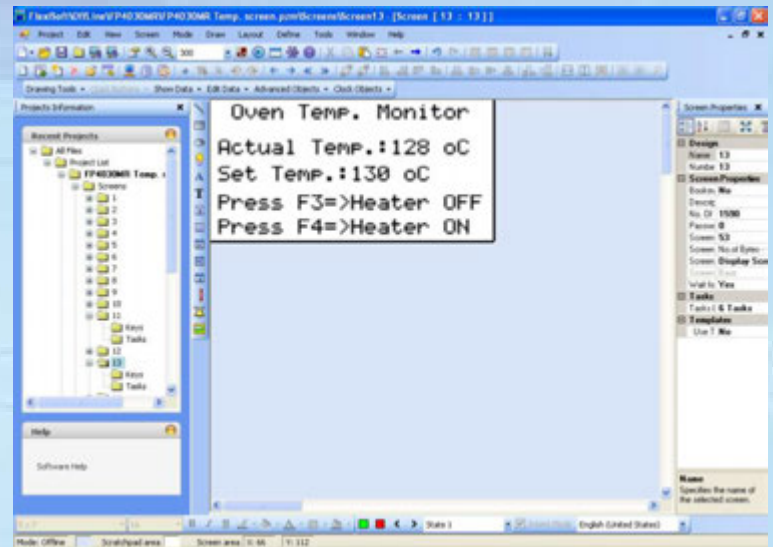
All the languages are supported in the FlexiPanels® (Graphical Model). The user can now display messages, alarms in any regional / local language. All Windows® fonts can also be used for text in an application.

## Communication Ports

Function Keys based FlexiPanels® have one serial communication port. The serial port can be used for programming of FlexiPanels®, printing screens (alphanumeric data), connecting to third party serial devices (barcode readers, temp scanners etc.) or to connect to a PLC or drive. User can configure serial port for RS232 or RS485 communication.

## Configuration Software

FlexiSoft® is a compact, Windows® based software to configure the FlexiPanels® units. User friendly configuration tools and easy approach, helps user create applications quickly and easily.



To get started with FlexiPanels®, user needs:

1. FlexiPanels® unit
2. FlexiSoft® Software
3. USB Programming cable (Part no. PC-USBAB-00)

OS requirements for FlexiSoft® are:

Windows Version : Microsoft Windows® 2000 or above

# Operations :-

Supported Task in FlexiPanels® are :

Task	Type	Power up	Global	Screen			Key/button		
				Before showing	While showing	After hiding	Press	While Pressed	Release
Go to screen		✓	✗	✓	✗	✓	✓	✗	✓
Go to next screen		✗	✗	✓	✗	✓	✓	✗	✓
Go to previous screen		✗	✗	✓	✗	✓	✓	✗	✓
Write value to tag		✓	✓	✓	✓	✓	✓	✓	✓
Add constant to tag		✓	✓	✓	✓	✓	✓	✓	✓
Subtract constant from tag		✓	✓	✓	✓	✓	✓	✓	✓
Add tag B to Tag A		✓	✓	✓	✓	✓	✓	✓	✓
Subtract tag B from Tag A		✓	✓	✓	✓	✓	✓	✓	✓
Turn bit ON		✓	✓	✓	✓	✓	✓	✗	✓
Turn bit OFF		✓	✓	✓	✓	✓	✓	✗	✓
Toggle bit		✓	✓	✓	✓	✓	✓	✗	✓
Copy Tag B to Tag A		✓	✓	✓	✓	✓	✓	✓	✓
Swap Tag A and tag B		✓	✓	✓	✓	✓	✓	✗	✓
Print Data		✗	✗	✗	✗	✗	✓	✗	✓
Set RTC		✗	✗	✗	✗	✗	✓	✗	✓
Copy tag to STR		✓	✓	✓	✗	✓	✓	✗	✓
Copy tag To LED		✓	✓	✓	✓	✓	✗	✗	✗
Delay		✗	✗	✗	✓	✗	✗	✗	✗
Wait		✗	✗	✗	✓	✗	✗	✗	✗
Copy HMI block to HMI/PLC block		✓	✓	✓	✓	✓	✓	✓	✓
Copy HMI/PLC block to HMI block		✓	✓	✓	✓	✓	✓	✓	✓
Copy RTC to PLC block		✗	✓	✗	✗	✗	✓	✗	✓
GoTo Popup screen*		✗	✗	✗	✗	✗	✗	✗	✗
Keys Specific Tasks		✗	✗	✗	✗	✗	✓	✓	✓
USB Data Log Upload		✗	✗	✗	✗	✗	✗	✗	✗

\* Available only in Touch Screen Models.

# Supported Printers :-

FlexiPanels® support following Dot matrix serial printers:

- EPSON
- SAMSUNG
- TVS



# Protocols Supported for :-

Driver	FP4020	FP4030
ABB	✓	✓
Allen Bradley DF1	✓	✓
Aromat FP Series	✓	✓
Baldor	✓	✓
Danfoss Drive	✓	✓
Delta	✓	✓
Fatek	✓	✓
FlexiLogics**	✓	✓
GE Fanuc	✓	✓
GE SNP-X	✓	✓
Idec	✓	✓
LG Master K series	✓	✓
LG Master-K 300S	✓	✓
Mitsubishi FX	✓	✓
Mitsubishi Q series (Serial)	✗	✓
Modbus master	✓	✓
Modbus slave	✓	✓
Serial Monitor	✓	✓
Toshiba Inverters	✓	✓
Toshiba T1	✓	✓
Toshiba T2 Link port	✓	✓
Twido	✓	✓
Unitelway	✓	✓
Universal Serial (ASCII)	✓	✓

\*\*Supported with native programming environment.

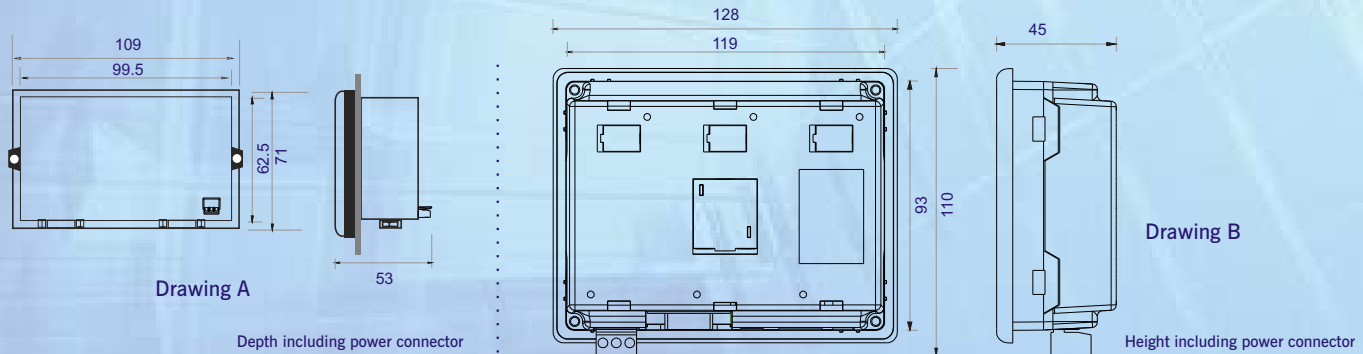
## Specifications :-

Power	: + 24V DC ±15% FP4020 - 2 W Max FP4030 - 3 W Max	Isolation	: Isolation between communication and power ports is 500 V DC for 1 Min.
Bezel	: IP66 rated Keypad	Immunity to ESD	: as per IEC61000-4-2
Operating Temperature	: 0° to 50°C	Immunity to Fast Transients	: as per IEC61000-4-4
Storage Temperature	: -20° to 80°C	Immunity to Radiated electromagnetic field	: as per IEC61000-4-3
Humidity	: 10% to 85% (Non condensing)	Immunity to Conducted disturbances	: as per IEC61000-4-6
Communication Ports	: One serial port (RS232 / RS422 / RS485 levels supported)	Surge	: as per IEC61000-4-5
USB Device Port	: As programming and monitoring port	Radiated emission	: as per EN55011
Type of LCD	: Multicolor Backlight LCD		

## Model Comparison :-

Product	Model	Display	LCD Life at 25°C	Keys	Memory	PLC Steps	Screen Memory	Serial Ports	USB	RTC	Power Consumption	Weight	Bezel Dimensions (mm)	Panel Cutout (mm)
FP4020	FP4020MR	16x2 Text Multicolor backlight	40000 hrs	18	Up-to 512 k	10 k	Up-to 84 kB	1	Device	Yes	2 W	172 gms.	109 W x 71 H x 53 D (Drawing A)	99.5 W x 62.5 H
FP4030	FP4030MR	128x64 Graphical Multicolor backlight	30000 hrs	18	Up-to 1.5 MB	10 k	Up-to 1 MB	1	Device	Yes	3 W	255 gms.	128 W x 110 H x 45 D (Drawing B)	119 W x 93 H

## Dimensions :-



All dimensions are in mm.